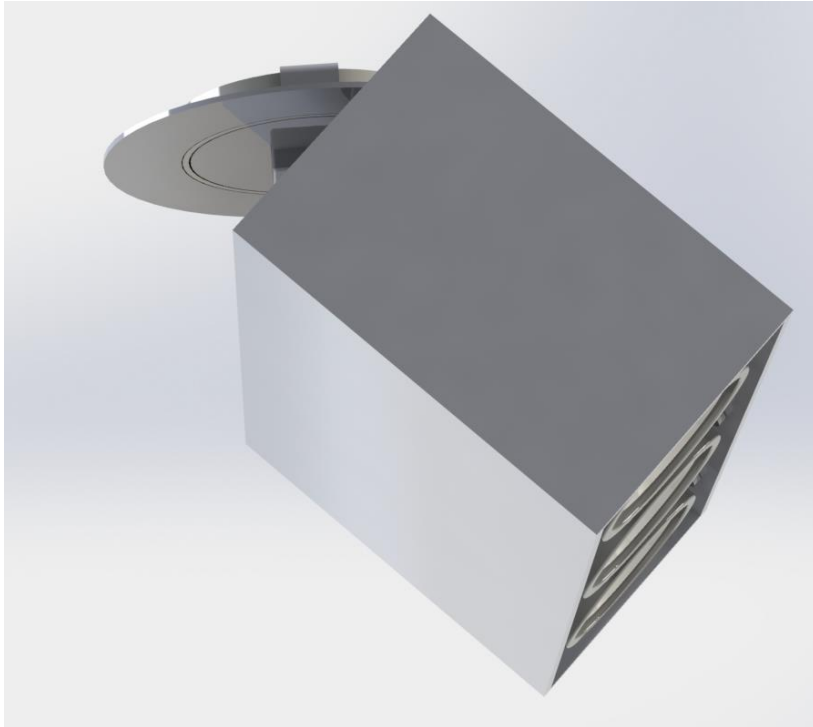


“DIVA 2STJ” INSTALLATION INSTRUCTIONS

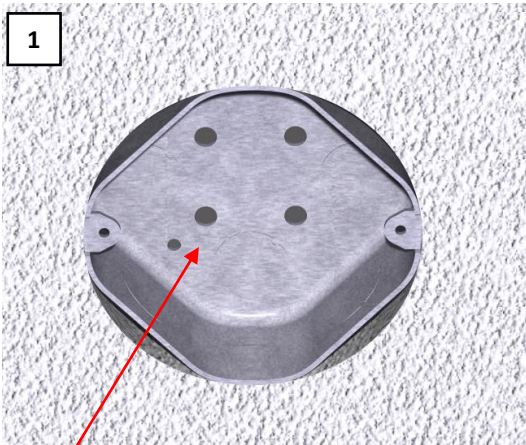


WARNING - RISK OF FIRE AND ELECTRICAL SHOCK. FIXTURE MUST BE INSTALLED BY A QUALIFIED ELECTRICIAN ONLY. FIXTURE IS INTENDED FOR INSTALLATION IN ACCORDANCE WITH THE NATIONAL ELECTRICAL CODE, LOCAL AND FEDERAL SPECIFICATIONS. DISCONNECT POWER AT ELECTRICAL PANEL BEFORE SERVICING. CONNECTION OF LUMINAIRE TO POWERED DRIVER WILL RESULT IN PERMANENT DAMAGE TO THE LED AND VOIDED PRODUCT WARRANTY.

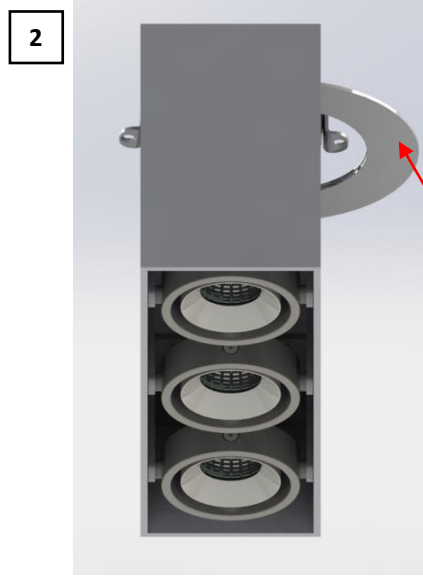
RETAIN THESE INSTRUCTIONS FOR MAINTENANCE REFERENCE.

MATERIALS USED FOR CEILING FIXATION SHOULD CONFORM TO THE RELEVANT BUILDING REGULATIONS.

FIXTURE INSTALLATION ON THE CANOPY



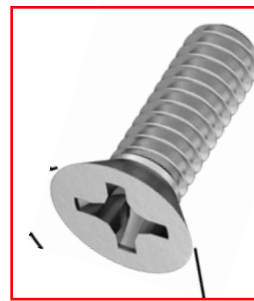
J-BOX 4"



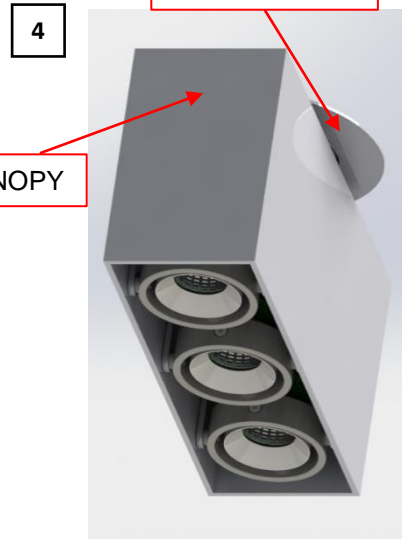
J-BOX COVER PLATE



MOUNTING
BRACKET



Flat Head Screws
8-32 X 0.5" Long



CANOPY

1. INSTALL THE FIXTURE ON 4" J-BOX (FIGURE 1)

2. FOR INTEGRATED DRIVER CONNECT WIRES FROM THE FIXTURE TO THE MAIN LINE, FOR REMOTE DRIVERS CONNECT WIRING FROM THE FIXTURE TO POWER SUPPLY/DRIVERS AS PER WIRING DIAGRAM, DISCONNECT J-BOX COVER PLATE FROM FIXTURE (FIGURE 2)

3. USE FLAT HEAD SCREWS (#8-32 x0.5") LONG TO ATTACH MOUNTING BRACKET TO J-BOX. (FIGURE 3)

4. SECURE COVER PLATE TO CANOPY BY PRESSING COVER PLATE ONTO CANOPY. (FIGURE 4)